



Solenoid piston valve 2/2 way N.C. pilot control dampness-proof IP 67

21YC4K07130

÷

21YC6K07250

PRESENTATION:

S.V. with pilot control for interception of fluids compatible with the construction materials.

A minimum operational pressure of 0,9 bar is required.

The materials used and the tests carried out ensure maximum reliability and duration.

USE: Hot water, Steam

PIPES: G 1/2 - G 1

COIL: 8W - Ø 13
BDV 180°C (class H)

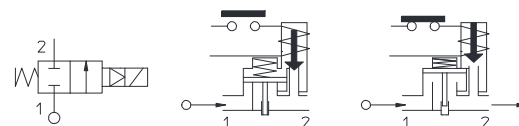
COIL HOUSING AND COIL FORMER MATERIAL ARE MADE BY 100% VIRGIN MATERIAL.

Max. allowable pressure (PS) 25 bar

See coils catalogue page for its compatibility.



Gaskets	Temperature		Medium
	- 40°C	+180°C	
T=PTFE (polytetrafluorethylen)			Steam, hot water



Pipe ISO 228/1	Code	Max viscosity		Ø mm	Kv l/mn	Power watt	Pressure		
		cSt	°E				min bar	M.O.P.D.	
								AC bar	DC bar
G 1/2	21YC4K07130	-	-	13	50	8	0,9	10	10
G 3/4	21YC5K07190			19	90				
G 1	21YC6K07250			25	160				

Note

For dampness-proof cup see catalogue page R453882/B+R453882/U | Available on request and with minimum quantities.

The "ODE" reserves the right to carry out technical and aesthetic modifications without prior notice.

MATERIALS:

Body	Brass - UNI EN 12165 CW617N
Armature tube	Stainless steel AISI series 300
Fixed core	Stainless steel AISI series 400
Plunger	Stainless steel AISI series 400
Phase displacement ring	Copper - Cu 99,9%
Spring	Stainless steel AISI series 300
Piston seal	Modified PTFE
Main seal	Glassfiber reinforced T=PTFE
Pilot seal	PTFE
Orifice	Brass - UNI EN 12165 CW617N

On request:

Connector	Pg 9 o Pg 11
Connector conformity	ISO 4400

FEATURES:

Electrical conformity	IEC 335
Protection degree	IP 67 EN 60529 (DIN 40050) with coil fitted by connector dedicated.

SPARE PARTS:

1. Coil:	G 3/4	Code R453528
See coils list	G 1	Code R453534
2. Complete plunger:	G 1/2	Code R452609
Code R450897	G 3/4 ÷ 1	Code R452553
3. Complete armature tube:		
Code R450606		

KIT:

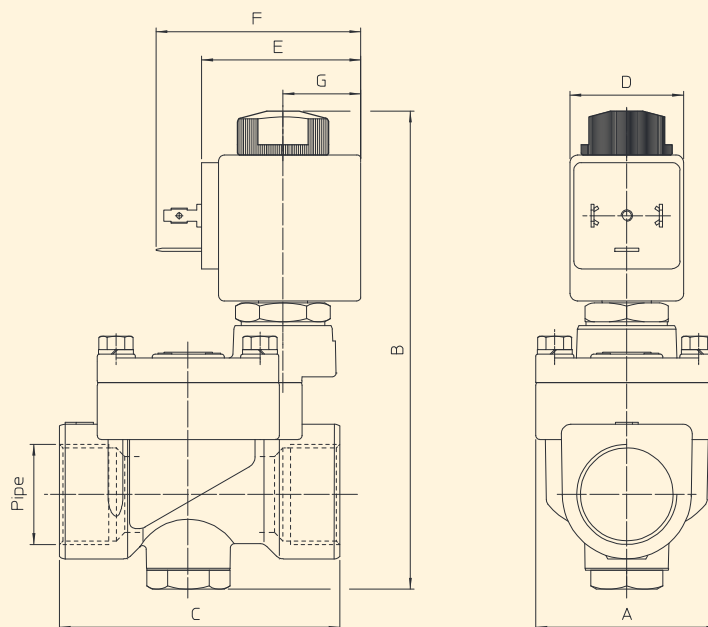
KT130K730-APGB=**2+3+8+9+10+11**

MAINTENANCE KIT:

G 1/2	KTPYC4K0713= 2+4+5+6+7
G 3/4 ÷ 1	Code R450858
G 3/4	KTPYC5K0719= 2+4+5+6+7
G 1	KTPYC6K0725= 2+4+5+6+7

4. Sealing ring:	G 1/2	Code R452607
	G 3/4	Code R452551
	G 1	Code R452552
5. Gasket cover:	G 1/2	Code R452608
	G 3/4 ÷ 1	Code R450858
6. Complete piston:	G 1/2	Code R453521

DIMENSIONS:



Type	Pipe ISO 228/1	A mm	B mm	C mm
21YC4K07130	G 1/2	40	107	65
21YC5K07190	G 3/4	48	120	74
21YC6K07250	G 1	62	130	93

COIL TYPE	POWER ABSORPTION	DIMENSIONS			
	W	D mm	E mm	F mm	G mm
B	8	30	42	54	20,5