



Solenoid valve 2/2 way N.C. With piston pilot control

21YW4K0T130

÷

21YW6K0T250

PRESENTATION:

S.V. with pilot control for interception of fluids compatible with the construction materials.

A minimum operational pressure of 0,9 bar is required.

The materials used and the tests carried out ensure maximum reliability and duration.

USE: Hot water, Steam

PIPES: G 1/2 - G 1

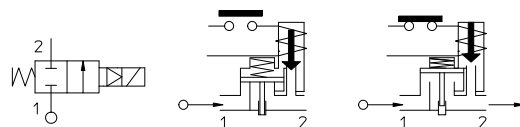
COILS: 8W - Ø 13
BDV 180°C (class H)

COIL HOUSING AND COIL FORMER MATERIAL ARE MADE BY 100% VIRGIN MATERIAL.

Max. allowable pressure (PS) 25 bar
Ambient temperature: - 40°C + 80°C



Gaskets	Temperature		Medium
T=PTFE (polytetrafluorethylen)	- 40°C	+180°C	Steam, hot water



Pipe ISO 228/1	Code	Max viscosity		Ø mm	Kv l/mn	Power watt	Pressure		
		cSt	°E				min bar	M.O.P.D.	
								AC bar	DC bar
G 1/2	21YW4K0T130	-	-	13	50	8	0,9	10	10
G 3/4	21YW5K0T190			19	90				
G 1	21YW6K0T250			25	160				

The "ODE" reserves the right to carry out technical and aesthetic modifications without prior notification.

MATERIALS:

Body	Brass - UNI EN 12165 CW617N
Armature tube	Stainless steel AISI series 300
Fixed core	Stainless steel AISI series 400
Plunger	Stainless steel AISI series 400
Phase displacement ring	Copper - Cu 99,9%
Spring	Stainless steel AISI series 300
Piston seal	Modified PTFE
Main seal	Glassfiber reinforced T=PTFE
Pilot seal	PTFE
Orifice	Brass - UNI EN 12165 CW617N

On request:

Connector	Pg 9 o Pg 11
Connector conformity	ISO 4400

FEATURES:

Electrical conformity	IEC 335
Protection degree	IP 67 EN 60529 (DIN 40050) with coil fitted by connector dedicated.

SPARE PARTS:

1. Coil:	See coils list	6. Complete piston:	G 1/2 Code R452604
2. Complete plunger:	Code R450897	G 3/4 Code R452547	G 1 Code R452548
3. Complete armature tube:	Code R450606	7. Gasket plug:	G 1/2 Code R452609
4. Sealing ring:	G 1/2 Code R452607	G 3/4+G 1 Code R452553	
	G 3/4 Code R452551		
	G 1 Code R452552		
5. Gasket cover:	G 1/2 Code R452608		
	G 3/4+G 1 Code R450858		

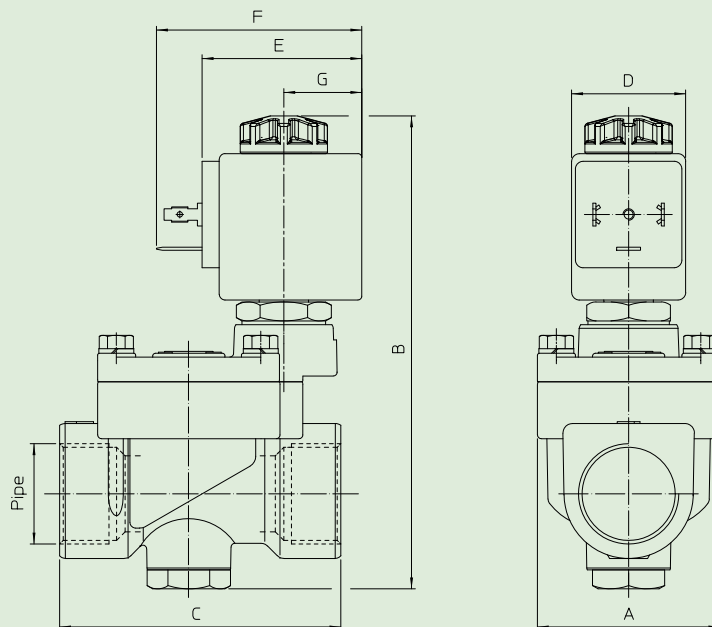
KIT:

KT130K730-APGB=2+3

MAINTENANCE KIT:

G 1/2 KTPYW4K0713=2+4+5+6+7
G 3/4 KTPYW5K0719=2+4+5+6+7
G 1 KTPYW6K0725=2+4+5+6+7

DIMENSIONS:



Type	Pipe ISO 228/1	A mm	B mm	C mm
21YW4K07130	G 1/2	40	114	65
21YW5K07190	G 3/4	48	127	74
21YW6K07250	G 1	62	137	93

COIL TYPE	POWER ABSORPTION	DIMENSIONS			
	W ==	D mm	E mm	F mm	G mm
B	8	30	42	54	20,5